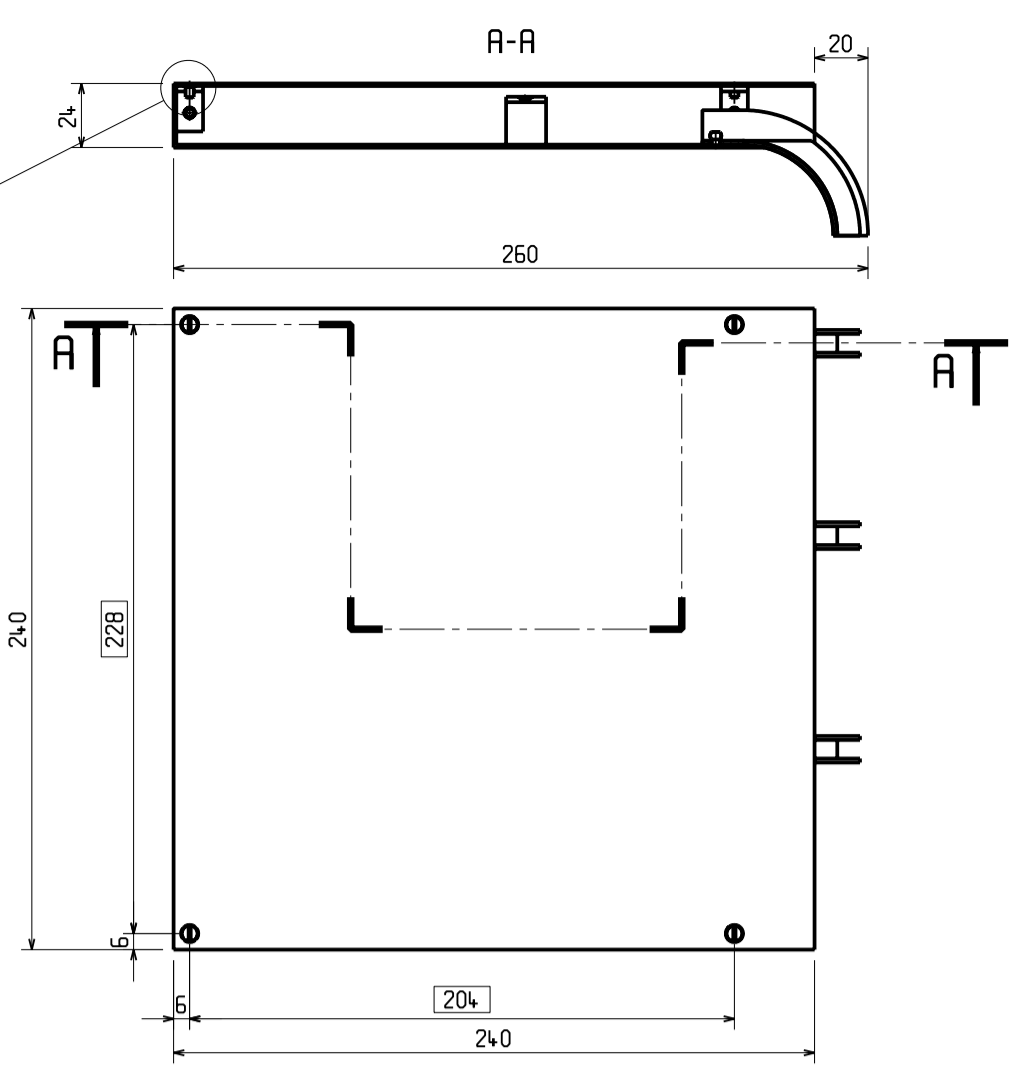
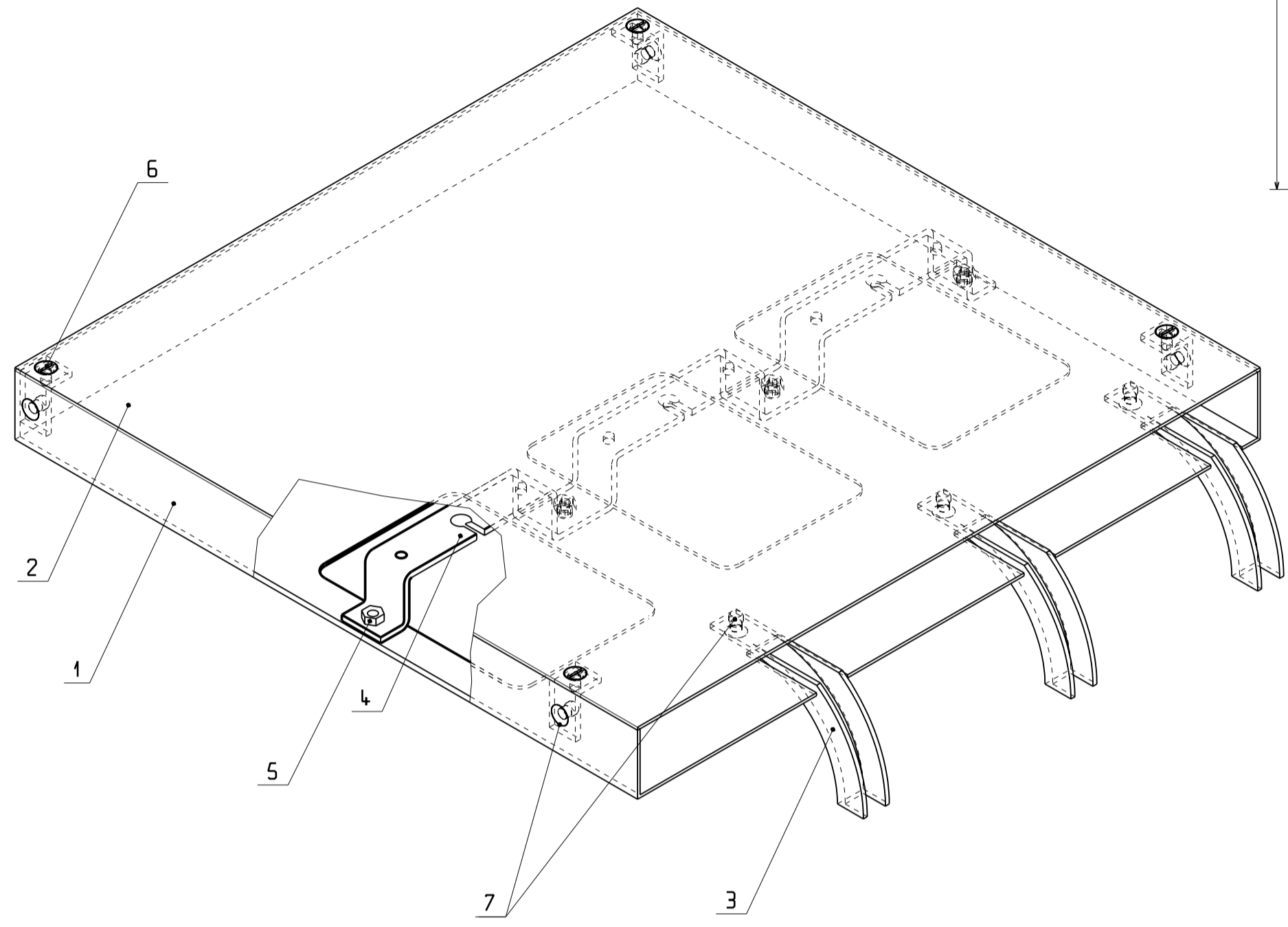


DESIGN REQUEST TO TOLERANCES  
 DRAWING REQUEST TO TOLERANCES  
 ACCORDING TO ISO STANDARD

PROJECTION

ORGANISATION EUROPEENNE POUR  
 LA RECHERCHE NUCLEAIRE  
 EUROPEAN ORGANIZATION FOR NUCLEAR RESEARCH  
 GENEVE

Ce dessin ne peut être utilisé à des fins commerciales sans autorisation écrite.  
 This drawing may not be used for commercial purposes without written authorization.



ISO 13175  
 -0.1  
 -0.3

GENERAL TOLERANCE: ISO 2768-cL

7	POP RIVET 3.2x5.8	7	Al		
	RIVET POP 3.2x5.8		Al		
4	SCREW DIN 963 A - M3x6	6			
	VIS DIN 963 A - M3x6				
4	DOMED CAP NUTS DIN 1587 M3	5			
	ECROU BORGNE DIN 1587 M3				
1	HANGER CONNECTORS	4	ALUMINIUM EN AW 6060	DRAWING NO: CMSEBSMC0098	
	BRIDE CONNEXEURS		ALUMINIUM EN AW 6060	PLAN NO: CMSEBSMC0098	
3	CABLES GUIDE	3	ALUMINIUM EN AW 6060	DRAWING NO: CMSEBSMC0099	
	GUIDE CABLE		ALUMINIUM EN AW 6060	PLAN NO: CMSEBSMC0099	
1	COVER	2	STAIN. STEEL		
	COUVERCLE		ACIER INOX.		
1	IN-LINE PATCH PANEL BOX	1	STAIN. STEEL	DRAWING NO: CMSEBSMC0097	
	BOITIER PATCH PANEL IN-LINE		ACIER INOX.	PLAN NO: CMSEBSMC0097	
QUANT.	DESCRIPTION	POS.	MAT.	OBSERVATIONS	REF.CERN
ENS./ASS.	S.ENS./S.ASS.				
CMS ECAL Barrel Super Module cables, electrical distribution, e				DES/DRA.	A. ABILI
IN-LINE PATCH PANEL BOX				1:1	2004-08-05
BOITIER PATCH PANEL IN-LINE				CONTROLLED	
				RELEASED	
				APPROVED	
				CMS_ECBLGENERAL6(CM80)CM802174-PL	
				REPLACE/REPLACES	
NON VALABLE POUR EXECUTION NOT VALID FOR EXECUTION				DAE A	CMSEBSMC0100
				SIZE 2	IND.

IND.	DATE	NOM/NAME	ZONE	MODIFICATION
11				
10				
9				
8				
7				
6				
5				
4				
3				
2				
1				