

No. GE0538153B

C3YS96-PB2PA2Z001-XXXXM9999

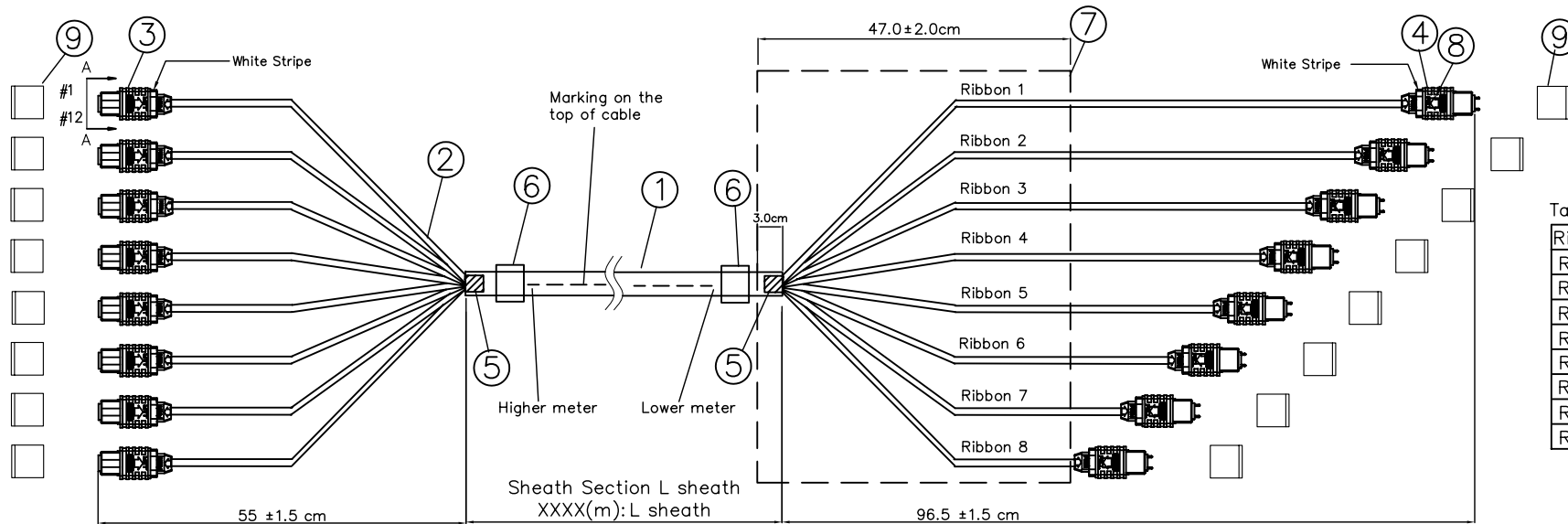


Table2. Ribbon lengths(*)

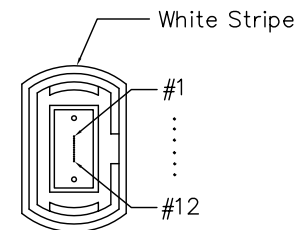
Ribbon No	lengths
Ribbon 1	90.6cm
Ribbon 2	86.2cm
Ribbon 3	81.8cm
Ribbon 4	77.4cm
Ribbon 5	73cm
Ribbon 6	68.6cm
Ribbon 7	64.2cm
Ribbon 8	59.8cm

- ① 96c SM Cable (Free issued)
- ② Bare ribbon fiber
- ③ 12MPO connector (Female)
- ④ 12MPO connector (Male)
- ⑤ Clips (Free issued)
- ⑥ QR cord label (Free issued)
- ⑦ Flexible sleeve (Free issued)
- ⑧ QR cord label (Die type) (Free issued)
- ⑨ connector dust cover

Table1. Optical Characteristics of MPO connector (SM, $\lambda=1.31 [\mu\text{m}]$)

MPO	Plug type	Insertion loss	Return Loss	Polishing
PA	Male	$\leq 0.75[\text{dB}]$	$\geq 55[\text{dB}]$	Angle
PB	Female			

* Measured with a master connector



12MPO(12 Fiber holes)

VIEW A-A

* The tolerance of ribbon to ribbon is $\pm 0.5\text{cm}$.

SUMITOMO ELECTRIC INDUSTRIES, LTD.

unit: mm