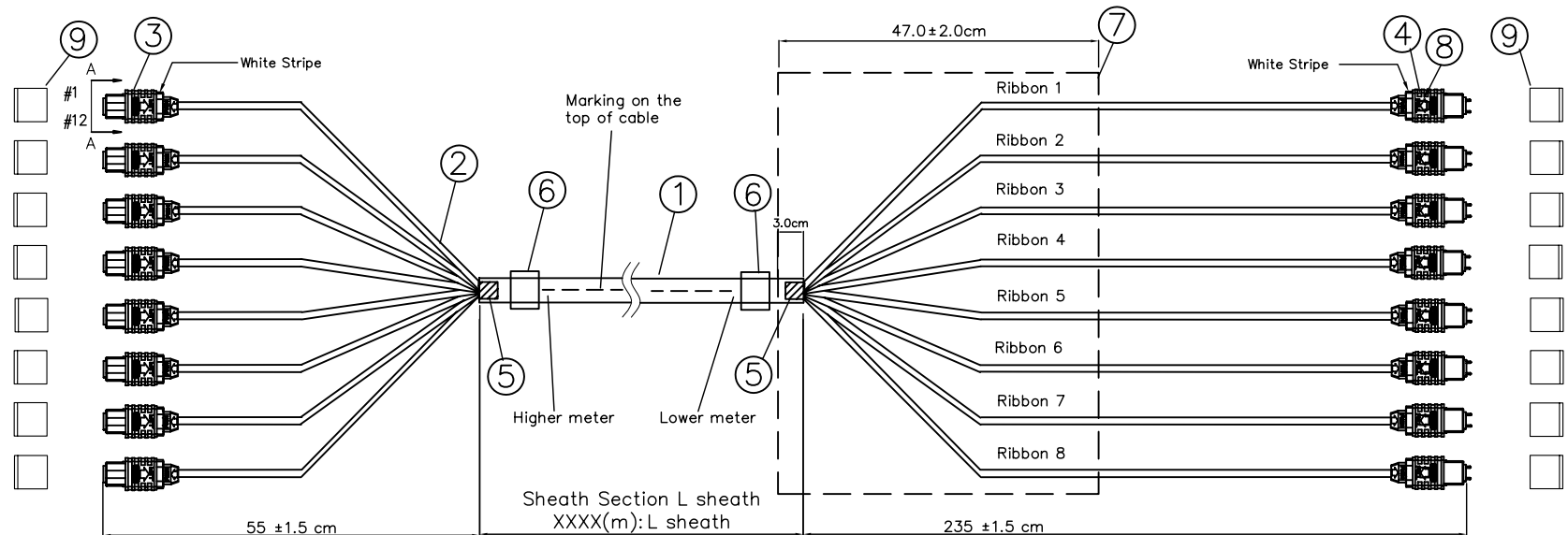


No. GE0538265B

C3YS96-PB2PA2Z001-XXXXM2.35

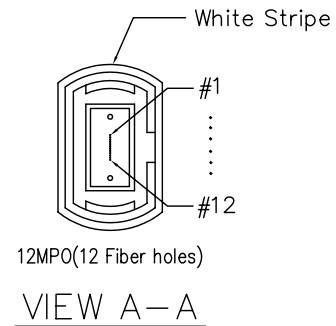


- ① 96c SM Cable (Free issued)
- ② Bare ribbon fiber
- ③ 12MPO connector (Female)
- ④ 12MPO connector (Male)
- ⑤ Clips (Free issued)
- ⑥ QR cord label (Free issued)
- ⑦ Flexible sleeve (Free issued)
- ⑧ QR cord label (Die type) (Free issued)
- ⑨ connector dust cover

Table1. Optical Characteristics of MPO connector (SM,  $\lambda=1.31 [\mu\text{m}]$ )

MPO	Plug type	Insertion loss	Return Loss	Polishing
PA	Male	$\leq 0.75[\text{dB}]$	$\geq 55[\text{dB}]$	Angle
PB	Female			

\* Measured with a master connector



unit: mm

SUMITOMO ELECTRIC INDUSTRIES, LTD.